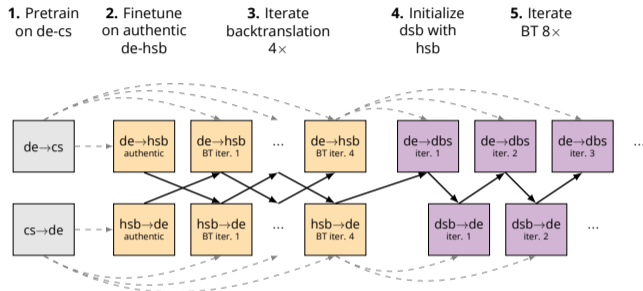


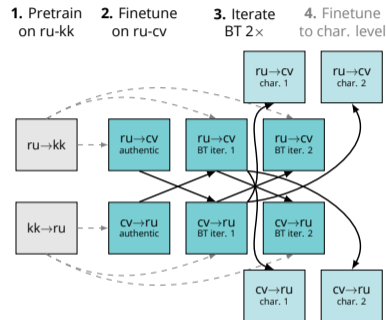
# The LMU Systems for the WMT21 Unsupervised and Very Low-Resource Translation Task

Jindřich Libovický (libovicky@cis.lmu.de) and Alexander Fraser *LMU Munich*

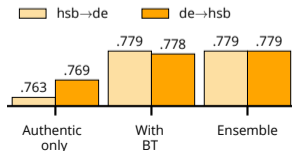
## German ↔ Upper & Lower Sorbian



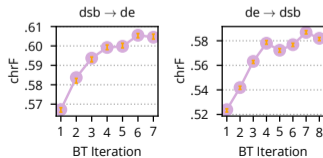
## Russian ↔ Chuvash



Upper Sorbian: devtest chrF



Lower Sorbian: devtest chrF



chrF scores on the devtest data

